



Installation Instructions Angle Single UFR - Unmeasured-Flow Reducer

PATENT PENDING  A.R.I. -LICENSED BY A.R.I. FLOW CONTROL ACCESSORIES LTD.

7202 Series - Model Number Explanation

SPACE 1, 2, 3, & 4

Basic Angle Single UFR model number:
7202 = Angle Single UFR

SPACE 5

(-) Standard

SPACE 6

size: 3 = 3/4"

SPACE 7

Inlet connection type:

- H = Meter swivel integral with saddle
- J = Meter swivel integral
- Y = Yoke style thread male integral

SPACE 8

Outlet connection type:

- E = Female iron pipe integral
- Q = CTS Q - Series compression integral
- R = Copper flare integral
- T = CTS T - Series compression integral
- 2 = CTS (-22) Mac-Pak compression integral

SPACE 9

Blank

SPACE 10

Thread size of meter swivel nut

METER SIZE	THREAD SIZE	THREAD DESIGNATION
5/8	3/4"	3
5/8 x 3/4	1"	4
3/4	1"	4

For Iron Yokes use the following designation:

METER SIZE	THREAD SIZE	THREAD DESIGNATION
5/8	-	2
5/8 x 3/4	-	3
3/4	-	3

SPACE 11

Sizes for outlet connections
3/4" = 3

SPACE 12

Meter Type Required

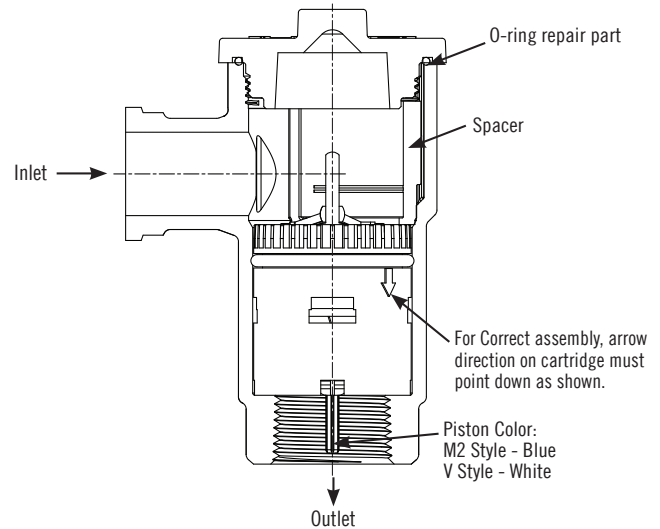
- 1 - Volumetric (V)
(Positive Displacement Meter)
- 2 - Multi-Jet Meter (M2)
Contact factory with name of meter manufacturer and model number for assistance in determining appropriate device.

SPACE 13-16

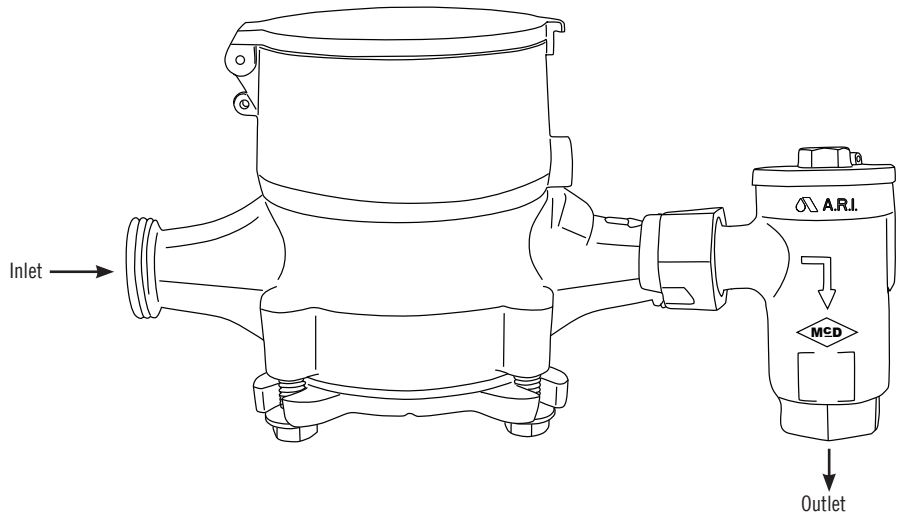
Backflow Prevention

- Blank - With Backflow Protection
- X001 - Without Backflow Protection

COMPONENTS and REPAIR PARTS



Inlet/Outlet and cartridges configuration may vary.
Contact factory for repair parts



HOW TO ORDER

Not all sizes or combinations available - contact factory.

UNIT REQUIRED (Example):

- Angle Single UFR
- Inlet - Meter swivel integral (5/8 x 3/4 meter)
- For Volumetric Meter

- Valve size 3/4"
- Outlet - MNPT integral 3/4"
- With Backflow Prevention

UNIT REQUIRED (Example):

- Angle Single UFR
- Inlet - Meter swivel integral (5/8 x 3/4 meter)
- For Volumetric Meter
- M2 NCV

- Valve size 3/4"
- Outlet - MNPT integral 3/4"
- Without Backflow Prevention

Order Model 7202-3HE 431

SPACE 1, 2, 3, & 4	SPACE 5	SPACE 6	SPACE 7	SPACE 8	SPACE 9	SPACE 10	SPACE 11	SPACE 12
7202	-	3	H	E		4	3	1

Order Model 7202-3HE 432 X001

SPACE 1, 2, 3, & 4	SPACE 5	SPACE 6	SPACE 7	SPACE 8	SPACE 9	SPACE 10	SPACE 11	SPACE 12	SPACE 13	SPACE 14, 15 & 16
7202	-	3	H	E		4	3	2	X	001

(Installation, troubleshooting, and test procedures on opposite side)



WARNING: It is unlawful in CALIFORNIA & VERMONT (effective 1/1/2010); MARYLAND (effective 1/1/2012); LOUISIANA (effective 1/1/2013) and the UNITED STATES OF AMERICA (effective 1/4/2014) to use any product in the installation or repair of any public water system or any plumbing in a facility or system that provides water for human consumption if the wetted surface area of the product has a weighted average lead content greater than 0.25%. This prohibition does not extend to service saddles used in California, Louisiana or under USA Public Law 111-380.



Installation Instructions Angle Single UFR - Unmeasured-Flow Reducer

PATENT PENDING  A.R.I. -LICENSED BY A.R.I. FLOW CONTROL ACCESSORIES LTD.

GENERAL INFORMATION

- **WARNING** - Do **NOT** use device with improper meter. The type of meter the device is to be used with is indicated in space 10 of model number:
 - 1 = Volumetric Meter (White tag on cap)
 - 2 = Multi-Jet Meter (Blue tag on cap)
- If uncertain of meter type being used, contact factory with meter manufacturer and model number.
- The device **MUST** be installed so that the arrow on the angle single UFR points in the direction of water flow.
- The device can be installed in either the horizontal or vertical position.
- The device requires a minimum line pressure of 14.5 PSI to operate correctly.
- If used in a system with a pressure regulating valve, best results will be obtained by locating the pressure regulating valve before the UFR or at least 25 feet after the UFR.
- Replacing the UFR cartridge at time the meter is changed out is recommended.

ASSEMBLY INSTRUCTIONS

- Service lines should be thoroughly flushed before installing device. Excessive pipe sealant or Teflon tape may prevent device from working properly. A suitable strainer should be installed upstream of the device.
- The device **MUST** be installed so that the arrow on the device points in the direction of water flow.
- Check cartridge O-rings should be lightly lubricated with a NSF approved silicone lubricant.
- DO NOT use Vaseline®, plumber's grease, or any other petroleum based product on seals or O-rings.
- DO NOT over-tighten O-ring cap seal or across body cylinder to avoid distortion.
- A pressure relief valve or an expansion tank is recommended downstream of the device if thermal expansion conditions are possible. Not required for No Check Valve (NCV) UFR's (X001).
- Use only on cold water service lines under 110°F. Protect from freezing.
- The device is not recommended for pressures exceeding 175 PSI.

TROUBLESHOOTING

Problem	Possible Causes	Solutions
No flow in the line	<ol style="list-style-type: none"> 1. Shut off valves have not been opened after installation. 2. The product is installed the wrong way round (against the flow direction). 3. Mains pressure is less than 14.5 PSI 	<ol style="list-style-type: none"> 1. Check shut off valves. 2. Check direction of the product, and if necessary invert it in accordance with the flow direction. 3. The UFR requires a minimum mains pressure of 14.5 PSI to work normally.
There is a leak in the house but the UFR is not working.	<ol style="list-style-type: none"> 1. There is a lot of air in the system following the installation. 2. The leak in the house is more than 7.9 gallons per hour (cumulative). 3. Sealant has entered the sealing area of the UFR. 	<ol style="list-style-type: none"> 1. Purge air from the system by opening the taps in the house and check again. 2. The UFR is designed to pulsate for leaks between 0 and 7.9 gallons per hour. For flows above 7.9 gallons per hour the UFR is fully open and meter should register full flow on its own. 3. Remove the UFR from the line and clean out the sealant.